

A-dec Inspire® Sterilization Center



Content Map	1
Operate/Adjust	2
Clean/Maintain	16
Specifications	21

Copyright

© 2025 A-dec, Inc. All rights reserved.

A-dec, Inc. makes no warranty of any kind with regard to this material, including, but not limited to, the implied warranties of merchantability and fitness for a particular purpose. A-dec, Inc. shall not be held liable for any errors contained herein or any consequential or other damages concerning the furnishing, performance or use of this material. The information in this document is subject to change without notice. If you find any problems in the documentation, please report them to us in writing. A-dec, Inc. does not warrant that this document is error-free.

No part of this document may be copied, reproduced, altered, or transmitted in any form or by any means, electronic or mechanical, including photocopying, recording, or by any information storage and retrieval system, without prior written permission from A-dec, Inc.

Intellectual Property Rights

None of the trademarks, trade names, or proprietary symbols and icons in this document may be reproduced, copied, or manipulated in any manner without the express, written approval of the trademark owner.

A-dec, A-dec+, the A-dec design logo, and the trademarks listed at a-dec.com/legal/trademarks are A-dec trademarks or registered trademarks in the United States and other countries. Certain touch control symbols and icons are proprietary to A-dec, Inc.

In the United States, Pozidriv is a registered trademark of Phillips Screw Company, Purell is a registered trademark of GOJO Industries Inc., Bon Ami is a registered trademark of Bon Ami Company, Comet is a registered trademark of KIK International LLC, Fantastik is a registered trademark of S.C. Johnson & Son, Inc., Formula 409 and SOS are registered trademarks of The Clorox Company, Scotch-Brite is a registered trademark of 3M Company, and Soft Scrub is a registered trademark of Henkel Consumer Goods Inc. These may also be trademarks or registered trademarks in other countries.

Regulatory Information and Warranty

For required regulatory information and the A-dec warranty, see the *Regulatory Information, Specifications, and Warranty* document (p/n 86.0221.00) available in the Resource Center at www.a-dec.com.



For quick access to this document online, scan, tap, or click this QR code, which points to: a-dec.com/regulatory-guide.

Product Service

Product service is available through your local authorized A-dec dealer. For service information, or to locate an authorized dealer, contact A-dec at 1.800.547.1883 in the USA and Canada or +1.503.538.7478 worldwide, or visit www.a-dec.com.

Product Models and Versions Covered in This Document*

Models	Versions	Description
394/594	A	Dental Furniture

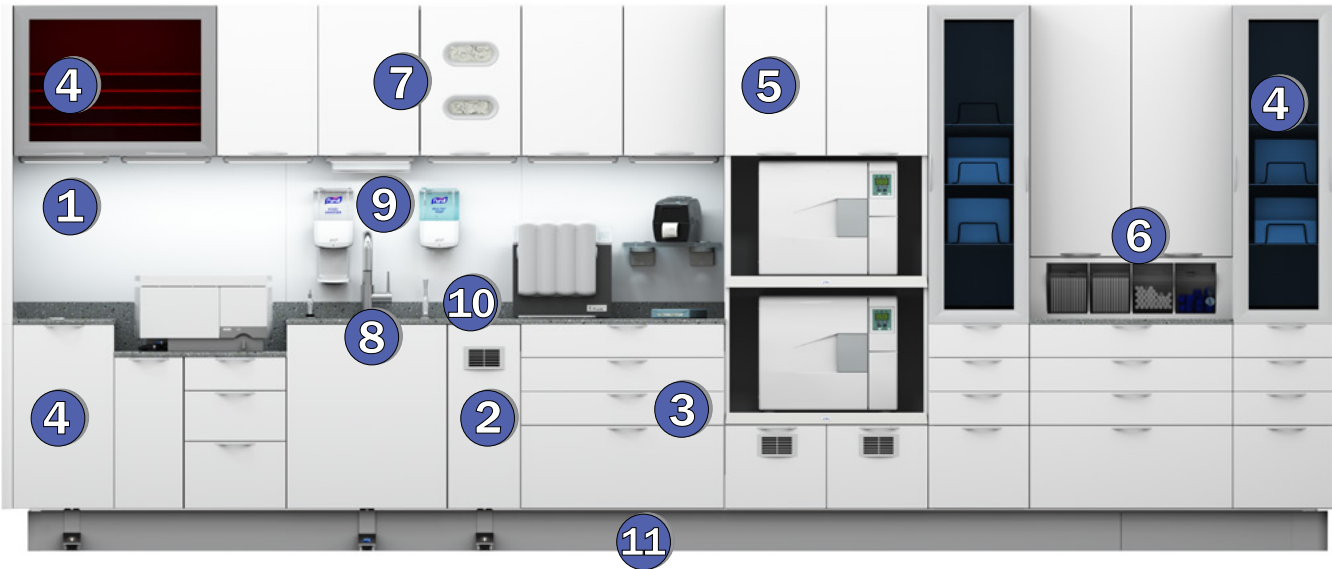
* Equipment shown in this document may include optional features or accessories. Some products, versions, and options in this document may not be available in certain regions.

Video Support Icon



Topics noted with this icon are supported with supplemental video. Click on the icon to open the video directly in YouTube. For additional user support materials, go to www.a-dec.com/inspiresupport.

Content Map



(A-dec 594 Sterilization Center shown)

Note. Click on any number to go to that topic.

Topics

- [1](#) Task Light2
- [2](#) Instrument Dryer2
- [3](#) Drawer/Shelf Adjustments 3
- [4](#) Power-Assisted Drawers and Doors 7
- [5](#) Remove and Adjust Doors 8
- [6](#) Materials Management 11
- [7](#) Glove and Towel Dispensers 13
- [8](#) Sink Module 14
- [9](#) Soap/Hand Sanitizer Dispenser Refill 15
- [10](#) Surface Management 16
- [11](#) Remove/Install Base Covers 18

Main Sections

- Operate/Adjust 2
- Clean/Maintain16
- Specifications 21

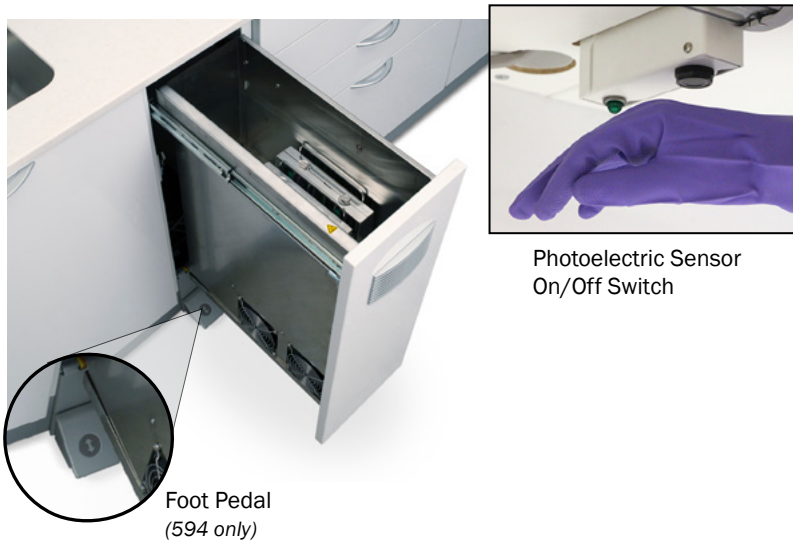
Operate/Adjust

Task Light Switch



Use the rocker switch to turn the task lights on and off. This switch will control all of the sterilization center task lights, whether you have a straight, corner, or galley configuration.

Instrument Dryer



WARNING The contents and surrounding metal surfaces will be hot when the drying cycle ends or is interrupted. Wait for the dryer to cool completely before removing any items.

Press the instrument dryer foot pedal to open or close the dryer. To start the dryer, wave your hand under the photoelectric sensor located on the upper cabinet. The green light blinks while the dryer is running. When the drying cycle ends, the green light turns solid.

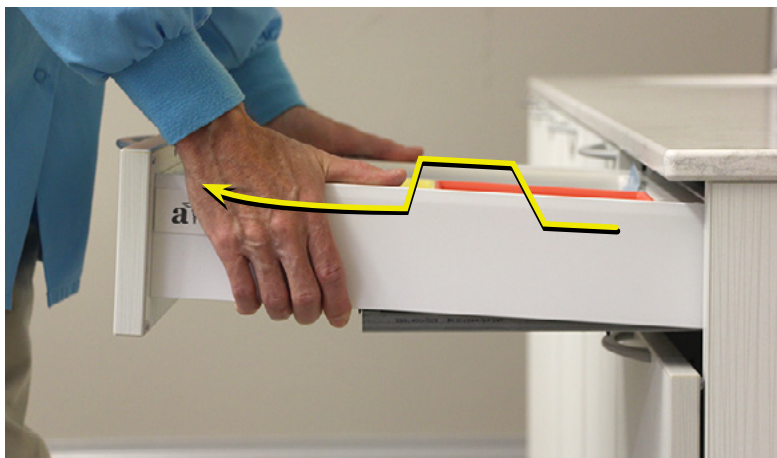
If you open the door during the drying cycle, the dryer will stop and the green light will turn off. Close the door to reset the cycle. The cycle runs for about 14 minutes.

Remove Drawers/Shelves

Insert Drawer



Storage Drawer



Remove a Drawer or Shelf

All of the drawers and shelves remove for easy access to wiring and utilities or to retrieve anything that may have fallen behind the drawers. To accommodate a variety of applications, A-dec Inspire includes several different drawer styles, each constructed with slightly different hardware.

Drawer/Shelf Style	Removal Method
Insert Drawer	Press in the orange tabs and lift out.
Storage Drawer	Pull out, lift up, then pull out and down.



WARNING Do not attempt to remove the upper blue storage pullout drawers. They are heavy and may cause injury if not properly supported when removed. If you need to remove them, contact your authorized A-dec dealer for assistance.

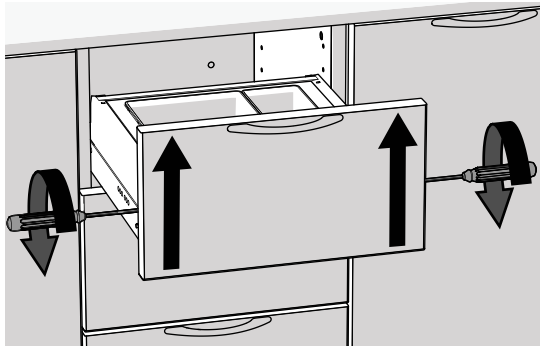
Adjust Storage Drawer Face Alignment



CAUTION To avoid damaging the screws, use a #2 Pozidriv® screwdriver to adjust the screws that move the drawer face.

Storage drawers include adjustment screws on both sides of the drawer to correct drawer face alignment. To access the screws, remove the A-dec cover. The screw furthest from the drawer face adjusts up and down alignment. The screw closest to the drawer face adjusts side-to-side alignment.

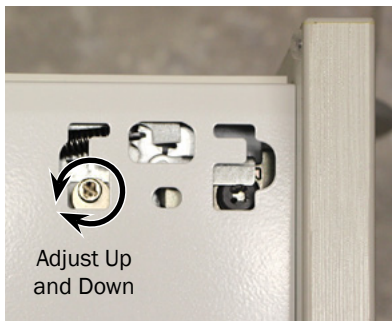
Up and Down Alignment



Each side can be adjusted independently.

Up-and-Down Alignment

1. Remove the A-dec cover.
2. On the left side, turn the screw counterclockwise to raise the drawer face or clockwise to lower the drawer face.
3. On the right side, turn the screw clockwise to raise the drawer face or counterclockwise to lower the drawer face.



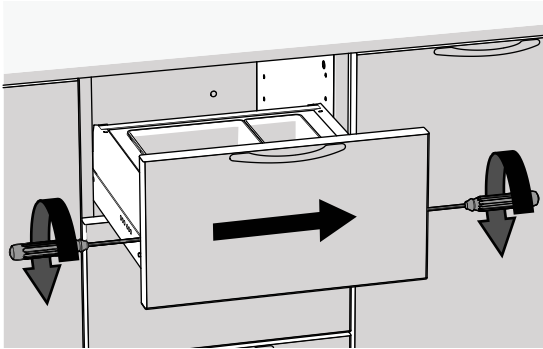
Left Side of Drawer



Right Side of Drawer

Adjust Drawer Face Alignment *(continued)*

Side-to-Side Alignment

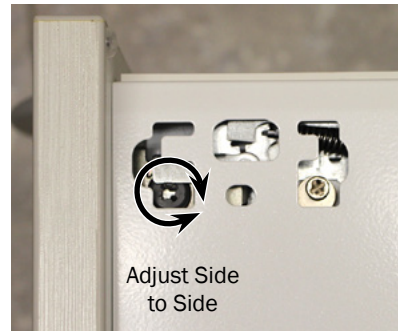


Adjust both sides
at the same time.



Adjust Side
to Side

Left Side of Drawer



Adjust Side
to Side

Right Side of Drawer



CAUTION To avoid damaging the screws, use a #2 Pozidriv® screwdriver to adjust the screws that move the drawer face.

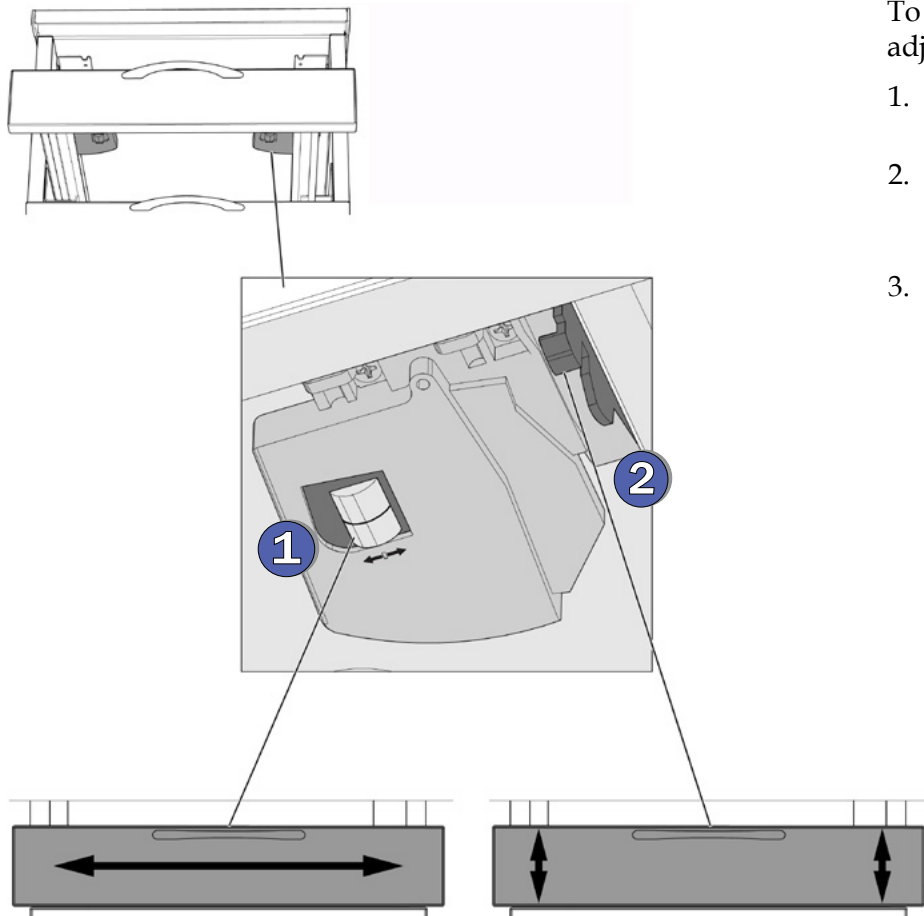
Side-to-Side Alignment

1. Remove the A-dec cover.
2. On the left side, turn the screw counterclockwise to move the drawer face right or clockwise to move the drawer face left.
3. On the right side, turn the screw the same number of increments, but clockwise to move the drawer face right or counterclockwise to move the drawer face left.



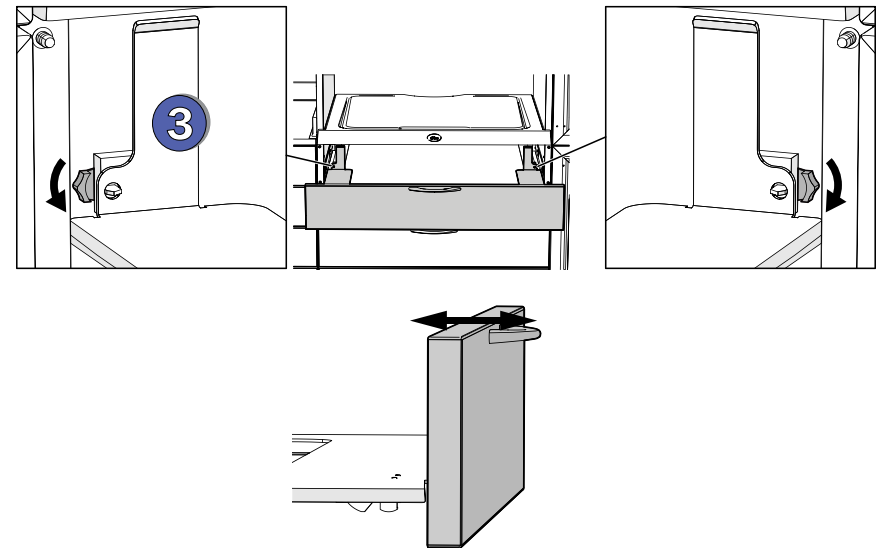
NOTE Make sure to turn the left- and right-hand screws in equal increments. To simplify the adjustment, adjust both sides at the same time.

Adjust Inset Drawers



To adjust the drawer face position on inset drawers, use the built-in adjustment mechanism located under the drawer.

1. **Side-to-Side Adjustment:** Rotate all barrels in the direction you want the drawer face to move.
2. **Up-and-Down Adjustment:** Slide the gray tab on the side to be moved. Slide the tab toward the back of the drawer to raise the drawer face.
3. **Front-to-Back Tilt:** Rotate the tab away from the drawer to tilt the drawer face toward the cabinet.



Power-Assisted Drawers and Doors (594 only)



Waste Storage Drawer

A slight bump with your knee or hip will open the power-assisted waste storage drawer, so you won't have to put anything down to access the waste containers.



Red Upper Storage Door

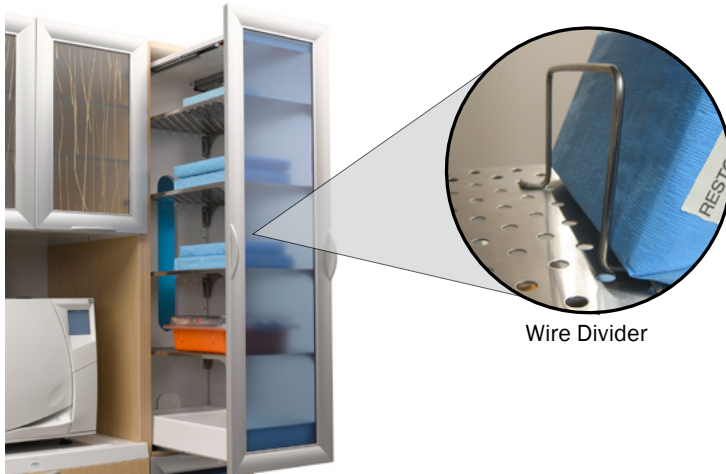


CAUTION Stand clear while operating the door. The pressure sensitive servo that opens and closes the door helps minimize – but does not eliminate – the possibility of injury.

To operate the power-assisted red upper storage door, use the remote foot pedal or press lightly on the right- or left-lower corner.

If the door no longer opens or closes with the foot-activation pedal, contact your authorized A-dec dealer for service.

Power-Assisted Drawers and Doors (594 only) (continued)



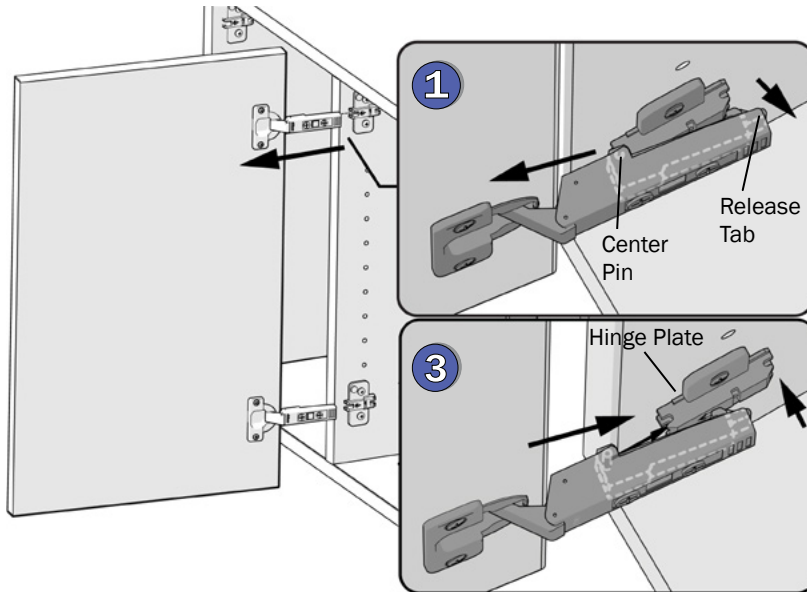
Blue Storage Pullout

To access the blue storage shelves, use your elbow or hand to bump the upper drawer, or your knee to bump the lower drawer. A servo unit pushes the drawer out for easy access.

Wire Dividers

Use the wire dividers to customize cassette organization. For instructions on how to reposition the wire dividers, see “Adjust the Wire Dividers” on page 12.

Remove and Adjust Doors



Remove/Reinstall a Door

Door hinges include a quick-release tab for easy removal. Start with the lower hinge and hold on to the door during this procedure:

1. Press the quick release tab and pull the hinge out slightly, leaving the center pin engaged in the hinge plate.
2. Repeat for the upper hinge and carefully remove the door.

To reinstall the doors, start with the upper hinge:

3. Align the center pin with the front of the hinge plate and snap the hinge in place.
4. Swing the door several times to ensure that the hinge is secure.

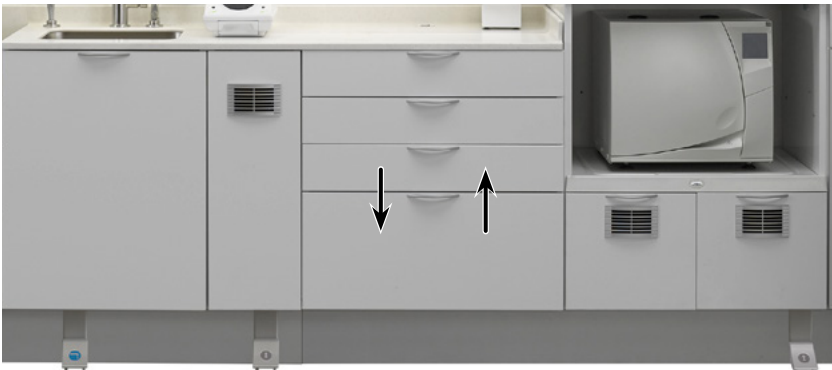
Remove and Adjust Doors *(continued)*



Deactivate the Hinge Soft-Close Feature

You can deactivate the soft-close feature, if desired. To deactivate, slide the black switch toward the cabinet on all hinges for that door.

Rearrange Drawers *(594 only)*



All drawer banks are pre-drilled so the drawers can be rearranged after installation, if required. If you would like to rearrange the configuration of your drawers, contact your authorized A-dec dealer for assistance.

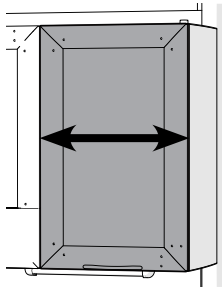
Adjust Hinges/Door Alignment



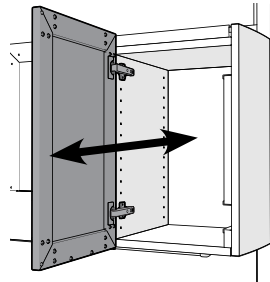
CAUTION To avoid damaging the screws, use a #2 Pozidriv® screwdriver to adjust the door hinge screws.

To adjust the door alignment, follow the guidelines below.

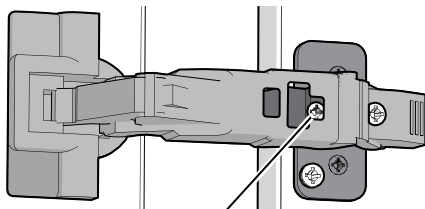
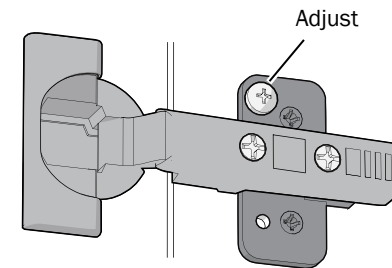
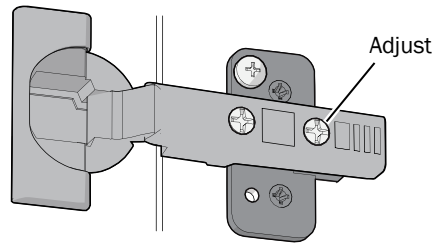
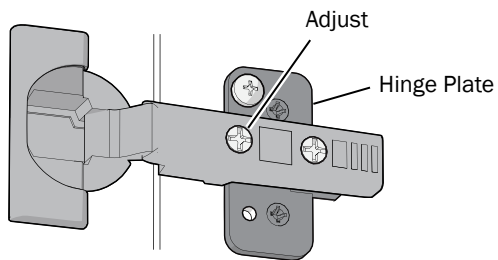
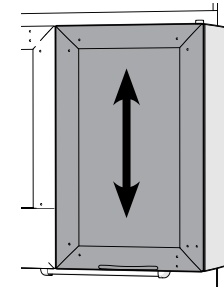
Side to Side



Back to Front



Up and Down



For 155 degree hinges, close the door slightly for better access to the screw.



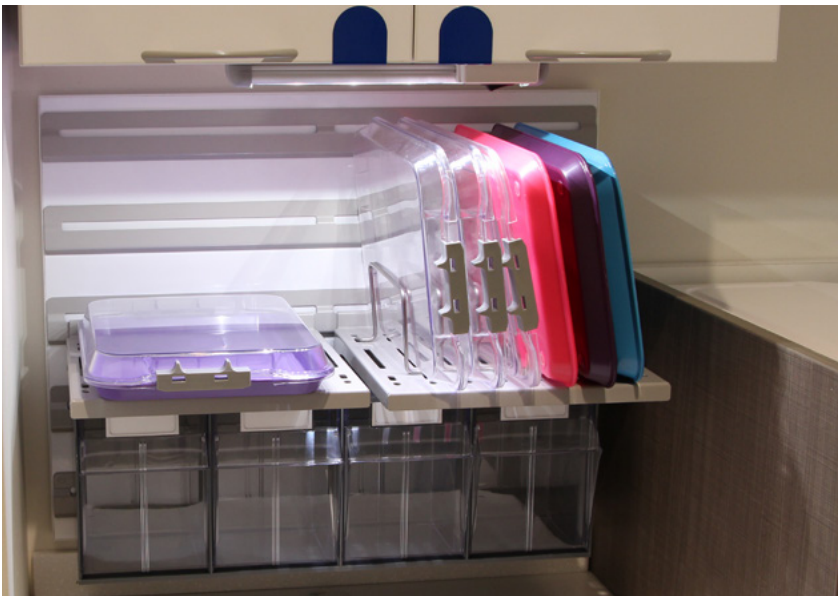
NOTE The screw on the hinge plate may be at the top or bottom, depending on the door configuration.

Clean/Dirty Cabinet Tab Indicators

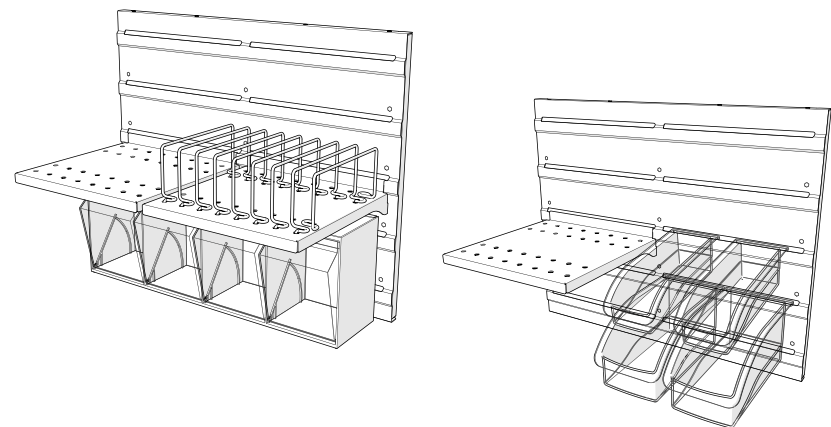


The red and blue cabinet tabs help support the sterilization process flow by clearly indicating dirty and clean areas. The tabs can be installed on doors, drawers, or shelves and provide a smooth surface that's also convenient for adding labels.

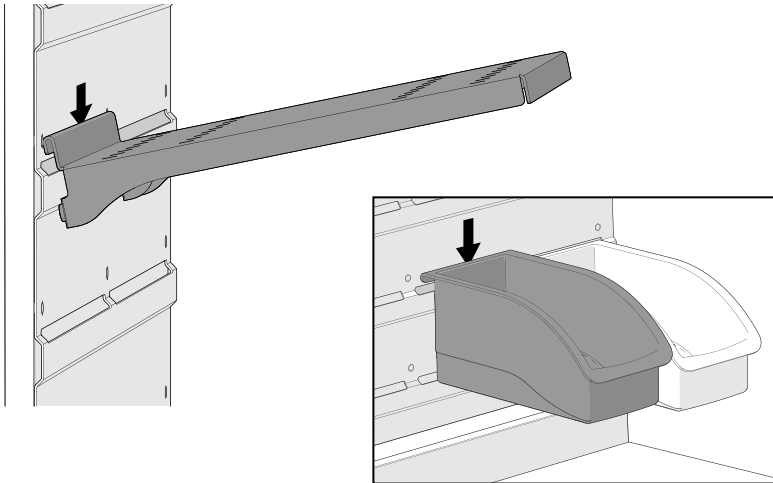
Materials Management Base *(394 only)*



A-dec Inspire 394 Make Ready configurations include a materials management base with horizontal slots so you can rearrange shelves, bins, and wire dividers to streamline your storage.



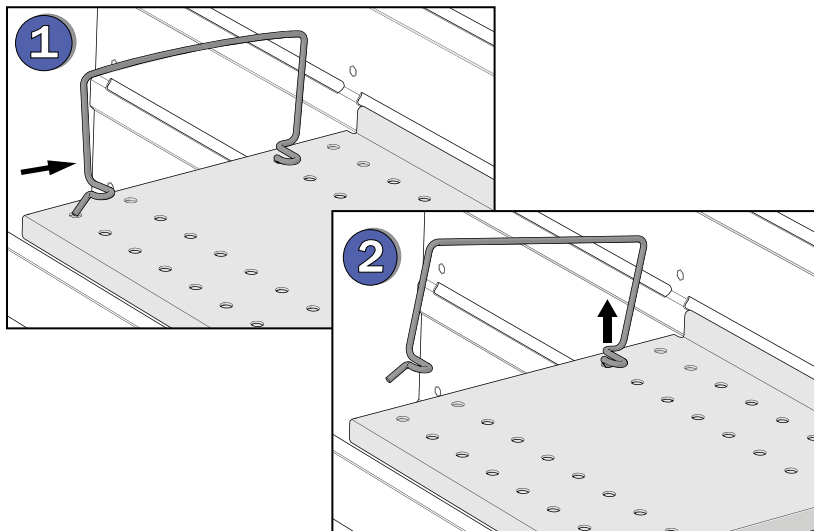
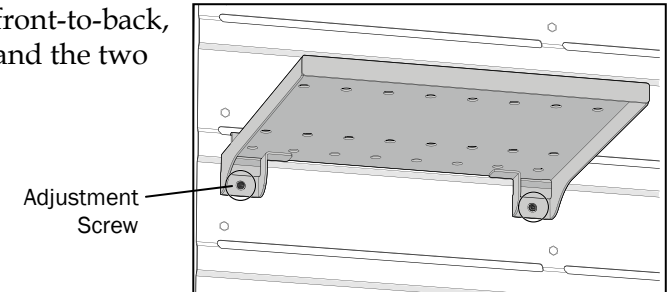
Materials Management Base (394 only) (continued)



Adjust Materials Management Shelves and Bins

When moving shelves and bins on the materials management base, be sure to fully engage the open hem hook of the shelf with the slot on the base wall panel.

To level the shelves front-to-back, use a 3/16" hex key and the two adjustment screws.

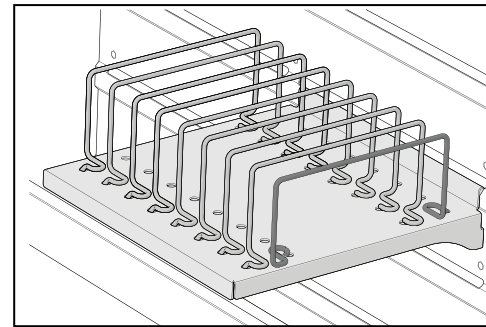


Adjust the Wire Dividers

You can easily customize the shelf wire dividers to fit your specific storage needs. To remove:

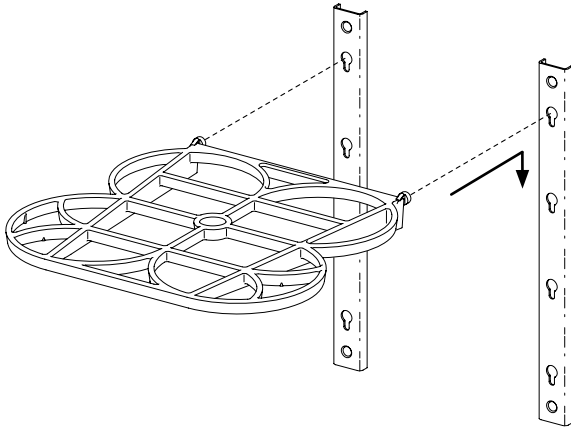
1. Compress the front vertical section of the divider and carefully pull out the front barb from the hole.

2. Release pressure and remove the back barb of the divider from the shelf.



To reinstall, follow steps 1 and 2 in reverse by installing the back barb first. Make sure you install the front barb into the hole aligned with the back barb.

Storage Rack (394 only)



The storage racks are set into key-holed brackets in the cabinet and can easily be removed and rearranged. Apply pressure evenly on both sides of the rack to simplify removal and installation. Ensure the tabs are fully set in the key holes when reinstalling the racks.

Glove and Towel Dispensers



Order dispenser refills that meet the following specifications:

Product	Dispenser Specification
Glove	9-1/2"L x 5"W x 3"H carton
Paper Towels	9-1/2" x 9-1/4" Z- or Multi-Fold

To ensure that a glove carton is secure in the dispenser, twist the elastic band at least once before looping the end around the dispenser tab.

Sink Module



Faucet Temperature and Flow

A-dec Inspire 594 sink options include a foot-activated faucet. Water temperature and flow are determined by the faucet handle position. To set, simply press the foot pedal and move the faucet handle until you reach your desired temperature and flow rate.

A-dec Inspire 394 sinks include standard faucet controls.

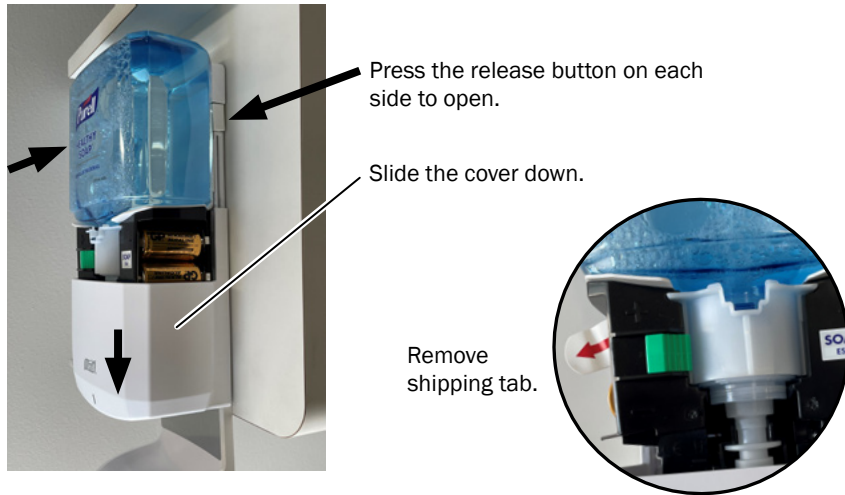
Air Syringe (594 only)

The sink module includes an air syringe for purging water from handpieces and attachments.

Glove Shelf (594 only)

Use the tray inside the sink module as a convenient place to store chemical gloves.

Soap and Hand Sanitizer Dispensers (594 only)



If the auto soap and hand sanitizer dispensers are full, but not working, open the units and ensure that the shipping tabs were removed.

For refills, order the following:

Product	Part Number/Description
Purell® Soap Refill	90.1861.00 2 Pack Refill Kit
Purell® Hand Sanitizer Refill	90.1860.00 2 Pack Refill Kit



Replace the Batteries

If the indicator light is not flashing and there is soap in the dispenser (and the shipping tab has been removed), replace the batteries.

1. Press the dispenser release buttons and slide the cover down.
2. Insert two new size C alkaline batteries.



NOTE Do not mix old and new batteries.

Clean/Maintain

Surface Management



To preserve your investment, A-dec recommends that you use barriers where possible. Where barriers are not practical, or when cleaning and disinfection are required, use the least harmful EPA-registered disinfectants that can provide the protection you need, while reducing potential harm to the equipment.

No solution is 100 percent safe. But there are choices available today that offer a balance between effective disinfection and minimal impact to your equipment, office staff, and patients. For A-dec Inspire, use the following guidelines – and always follow the cleaner/disinfectant manufacturer's directions for use.

Least Harmful:

- ▶ Barriers
- ▶ EPA-registered disinfecting wipes with:
 - quaternary ammonium chlorides (“quats”) with less than 25% isopropyl alcohol
- ▶ EPA-registered disinfecting sprays with:
 - high-dilution, water-based phenols
- ▶ Mild dishwashing liquid and water (for cleaning only)



Most Harmful:

- ▶ Sodium hypochlorite (bleach)
- ▶ Hydrogen peroxide (pH <4)
- ▶ Isopropyl alcohol (>40%)
- ▶ Products with abrasives (e.g., pumice, calcium carbonate)
- ▶ Abrasive applicators/scrubbers



NOTE In general, disinfecting wipes (when properly used) are less harmful than disinfecting sprays – primarily due to overspray and lack of consistent application. Always follow the disinfectant manufacturer's directions for use.


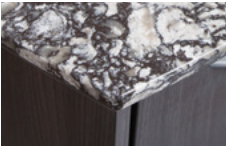




IMPORTANT For a quick reminder of these guidelines, see the *A dec Inspire Asepsis Quick Reference* (p/n 86.0632.00), which was included with your dental furniture order. For more details on cleaning and disinfecting, see the *A-dec Equipment Asepsis Guide* (p/n 85.0696.00), which is available in the Resource Center at www.a-dec.com.

Surface Management *(continued)*

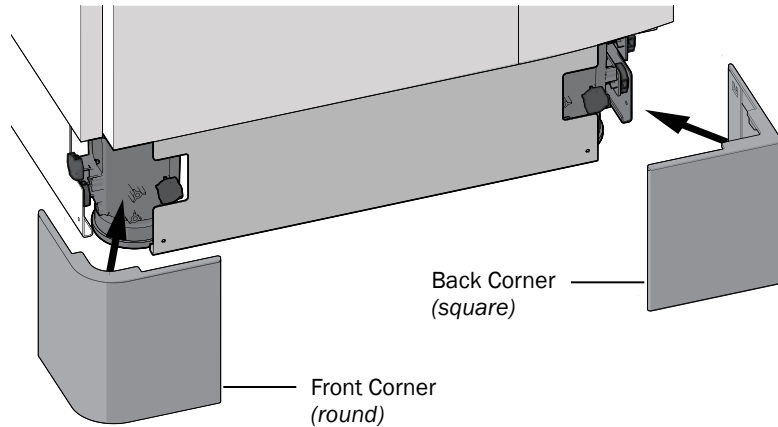


WARNING Do not expose A-dec Inspire surfaces to harsh chemicals or use solvents such as acetone or lacquer thinner. If these chemicals come in contact with the surface, immediately wash them off with water, using appropriate safety measures to avoid injury.

Surface/Item	Routine Cleaning	Light Stains	Heavy Stains/Scratches/Burns	Do NOT Use
Solid Surface 	Soft cotton cloth with a solution of mild dishwashing liquid and warm water.	Soap and water, glass cleaner, or non-abrasive household cleaners such as Fantastik® and Formula 409®.	Matte finishes only: Apply an abrasive cleaner (such as Comet®, Soft Scrub®, Bon Ami®, etc.), then buff with a purple Scotch-Brite® pad using a circular motion.	Aggressive or oxidizing chemicals. See page 16 for other harmful disinfectants.
Quartz 	Soft cotton cloth with a solution of mild dishwashing liquid and warm water.	Soap and water, glass cleaner, or non-abrasive household cleaners such as Fantastik® and Formula 409®.	Contact A-dec customer service.	Aggressive or oxidizing chemicals, abrasive, strong alkaline, or highly acidic cleaners (such as bleach, Comet®, Soft Scrub®, SOS®, products with pumice, paint removers, furniture strippers, and tarnish, silver, or oven cleaners). See page 16 for other harmful disinfectants.
Laminate Surfaces 	Soft cotton cloth with a solution of mild dishwashing liquid and warm water.	Soap and water, or non-abrasive household cleaner/detergent and a soft bristled brush.	Use a soft bristled brush with a paste of baking soda and water. Lightly scrub for 10-20 seconds.	Aggressive or oxidizing chemicals, bleaching agents, or cleaners containing lye, steel wool, or other abrasives. See page 16 for other harmful disinfectants.
Infills 	Soft cotton cloth with a solution of mild dishwashing liquid and warm water.	Soap and water, glass cleaner, or non-abrasive household cleaners such as Fantastik® and Formula 409®.	Contact A-dec customer service.	Aggressive or oxidizing chemicals. See page 16 for other harmful disinfectants.

Remove/Install Base Covers

Side Corners



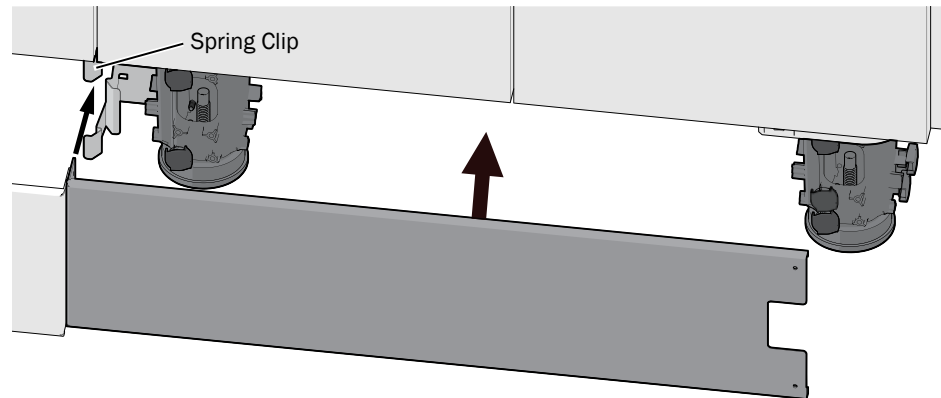
CAUTION Base covers are held in place with high strength magnets. To avoid pinching fingers when removing or installing the base covers, hold the base cover by the edges.

Cabinet base covers are easily removed for cleaning or to access utilities. Pull the covers straight out to remove them. When you reinstall the covers, make sure they attach in their original location onto magnets or inserted into spring clips. Place the rounded corner base covers on the front corners of the cabinet and the square covers on the back corners.









NOTE Some base covers may be shaped and located differently than those shown above, but are attached and held in the same manner.

Front/Back Straight Panels

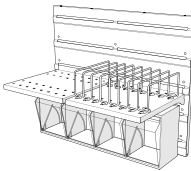
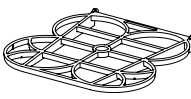



Common Replacement Items

Item/Description	Part Number
Interchangeable Drawer Bins  	57.0135.01 white 57.0134.01 blue 57.0133.01 red 57.0132.01 yellow
Insert Drawer Bins 	57.0142.01 14" Wrapping Drawer 57.0146.01 14" Make Ready Drawer 57.0147.01 28" Make Ready Drawer 57.0143.01 28" Wrapping Drawer 90.1484.00 14" Soaking Drawer w/Lid
Hanging Bins 	042.754.00 Hanging Bin, Clear, Large 042.754.01 Hanging Bin, Clear, Medium 042.754.02 Hanging Bin, Clear, Small
Purell® Soap Refill 	90.1861.00 Package of 2
Purell® Hand Sanitizer Refill 	90.1860.00 Package of 2

Contact your authorized A-dec dealer for available A-dec Inspire replacement items.

Common Replacement Items *(continued)*

Item/Description	Part Number
Materials Management Base Accessories	 57.0846.00 Additional Shelf 57.0842.00 Wire Rack Support Kit 042.740.00 4-Bin Tip-Out Assembly 042.273.00 5-Bin Tip-Out Assembly 57.0849.00 Tip-Out Adapter Kit <i>(required with tip-out assemblies)</i>
Storage Racks	 56.0627.00 Storage Rack
Clean/Dirty Indicator Tabs	 90.2051.00 Clean ID Kit <i>(2 blue tabs included)</i> 90.2074.00 Dirty ID Kit <i>(2 red tabs included)</i>

Contact your authorized A-dec dealer for available A-dec Inspire replacement items.

Specifications



IMPORTANT For electrical specifications, identification of symbols, and other regulatory requirements, see the *Regulatory Information, Specifications, and Warranty* document (p/n 86.0221.00) available in the Resource Center at www.a-dec.com.



NOTE Specifications are subject to change without notice. Requirements may vary depending on your location. For more information, contact your authorized A-dec dealer.



 **A-dec Headquarters**

2601 Crestview Drive
Newberg, Oregon 97132
United States
Tel: 1.800.547.1883 within USA/CAN
Tel: +1.503.538.7478 outside USA/CAN
www.a-dec.com

A-dec Australia

Unit 8, 5-9 Ricketty Street
Mascot, NSW 2020
Australia
Tel: 1.800.225.010 within AUS
Tel: +61.(0).2.8332.4000 outside AUS

A-dec United Kingdom

Austin House, 11 Liberty Way
Nuneaton, Warwickshire CV11 6RZ
England
Tel: 0800.ADEC.UK (2332.85) within UK
Tel: +44.(0).24.7635.0901 outside UK

86.0527.00 Rev D
Date of Issue 2025-04-15
Copyright 2025 A-dec, Inc.
All rights reserved.

IFUnewcov5